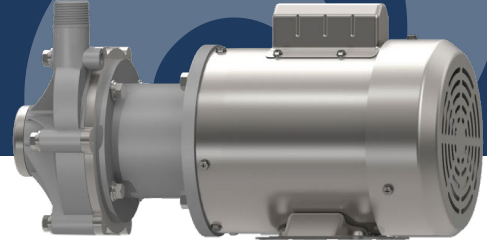


MC6 Series

Magnetic Drive Centrifugal Pump

1.5" FNPT Suction 1.0" MNPT Discharge
360 Max Impeller

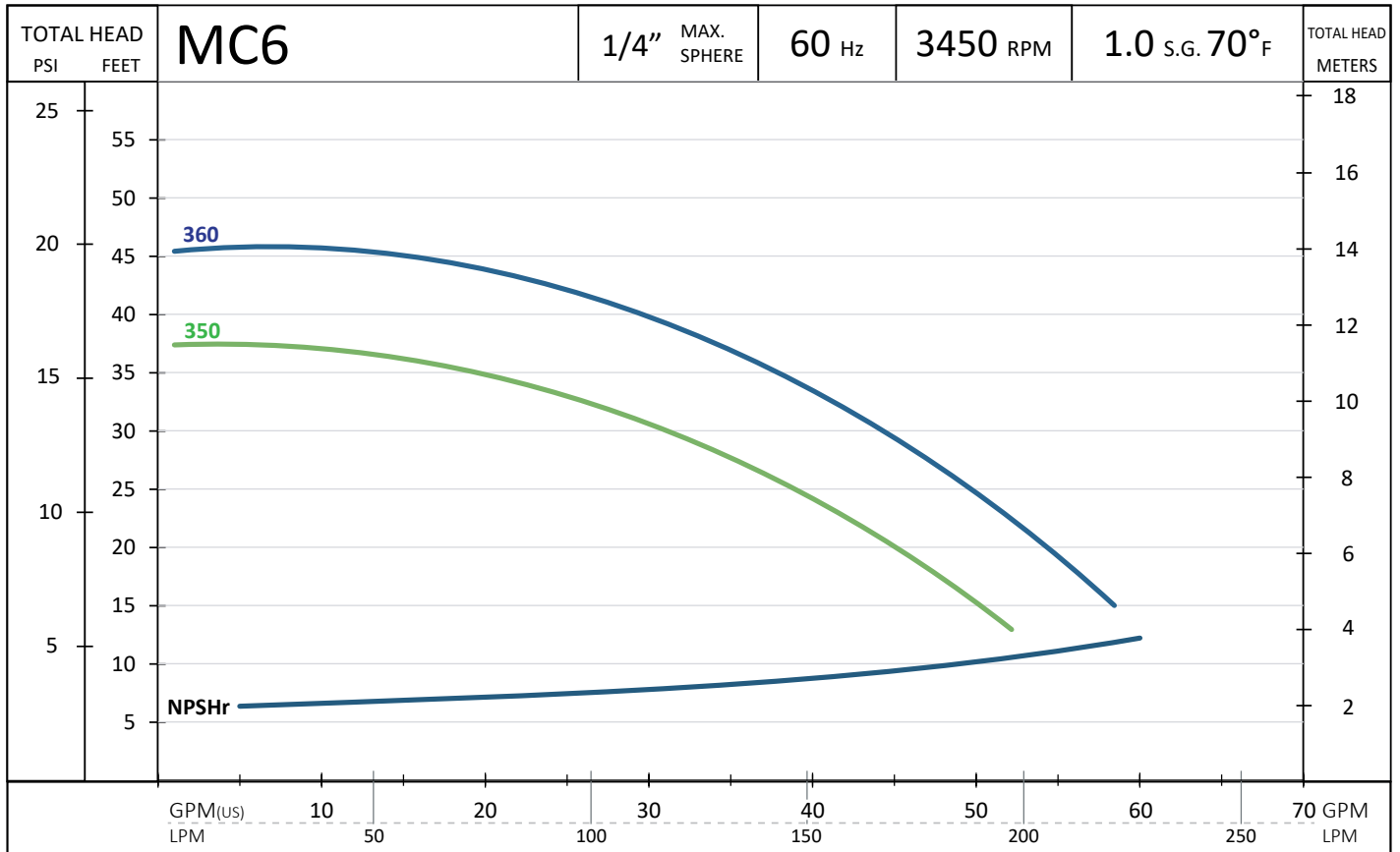


FEATURES

- Magnetic drive with no shaft seals for long life
- Rugged glass fiber reinforced composite construction will not rust, tarnish, or corrode*
- Extended run-dry protection with infused carbon graphite bushing*
- 316L-reinforced inlet*
- Stainless TEFC washdown motor*
- Stainless-steel hardware*
- Dual-voltage multi-frequency 60/50 Hz capable motor (wiring dependent)*

**Standard offering, may change with different options*

PERFORMANCE CURVE



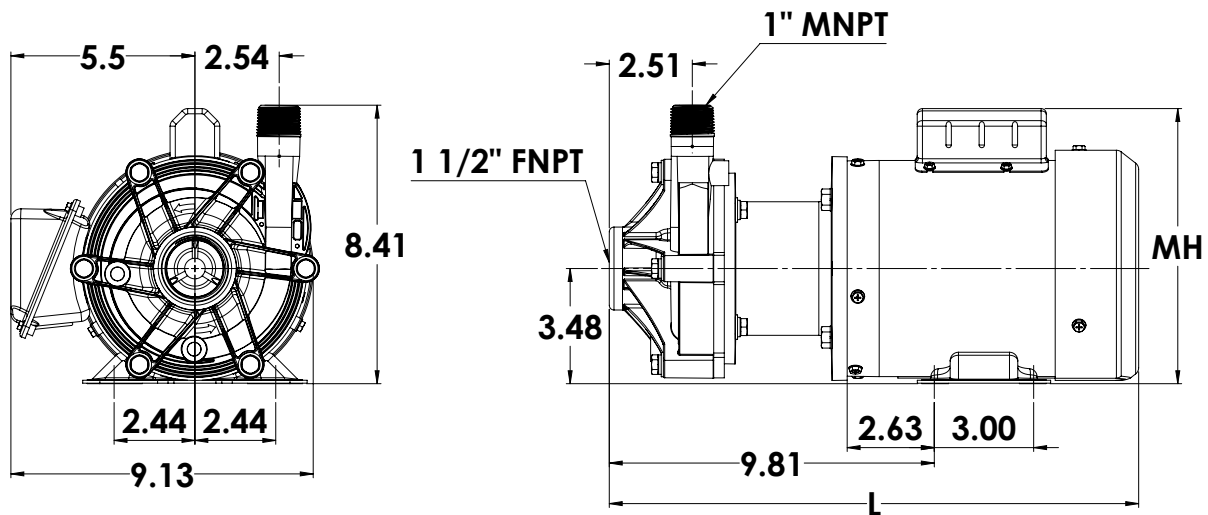
STANDARD WET MATERIALS

HEAD	GFPP (Polypropylene)
IMPELLER	GFPP (Polypropylene), GFPA (Nylon)
WEAR	Al ₂ O ₃ , Carbon Graphite, GF MoS ₂ , PTFE, SiC
O-RING	FKM

ADDITIONAL SPECIFICATIONS

MAX FLUID TEMP	180 °F
MAX FLUID VISCOSITY	150 cP

DIMENSIONS



IMP	HP	TYPE	PH	Volt	Hz	AMPS	(DIM) L	(DIM) MH	BASE PART NUMBER
350	0.5	TEFC	1	115/230	60/50	7.6/3.8	15.98	8.5	MC6-350-11-0.5T
360	0.5	TEFC	1	115/230	60/50	7.6/3.8	15.98	8.5	MC6-360-11-0.5T



© 2025 Inovotron. All Rights Reserved.

Magnevo Pumps are designed, assembled and quality-control tested at our headquarters in Minneapolis, Minnesota, USA.



(888) 849-6386
(952) 679-3939



www.magnevo.com

U.S. and Foreign Patents Pending
REV A