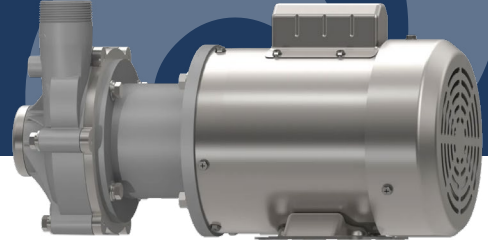


MC10 Series

Magnetic Drive Centrifugal Pump

1.5" FNPT Suction 1.5" MNPT Discharge
400 Max Impeller

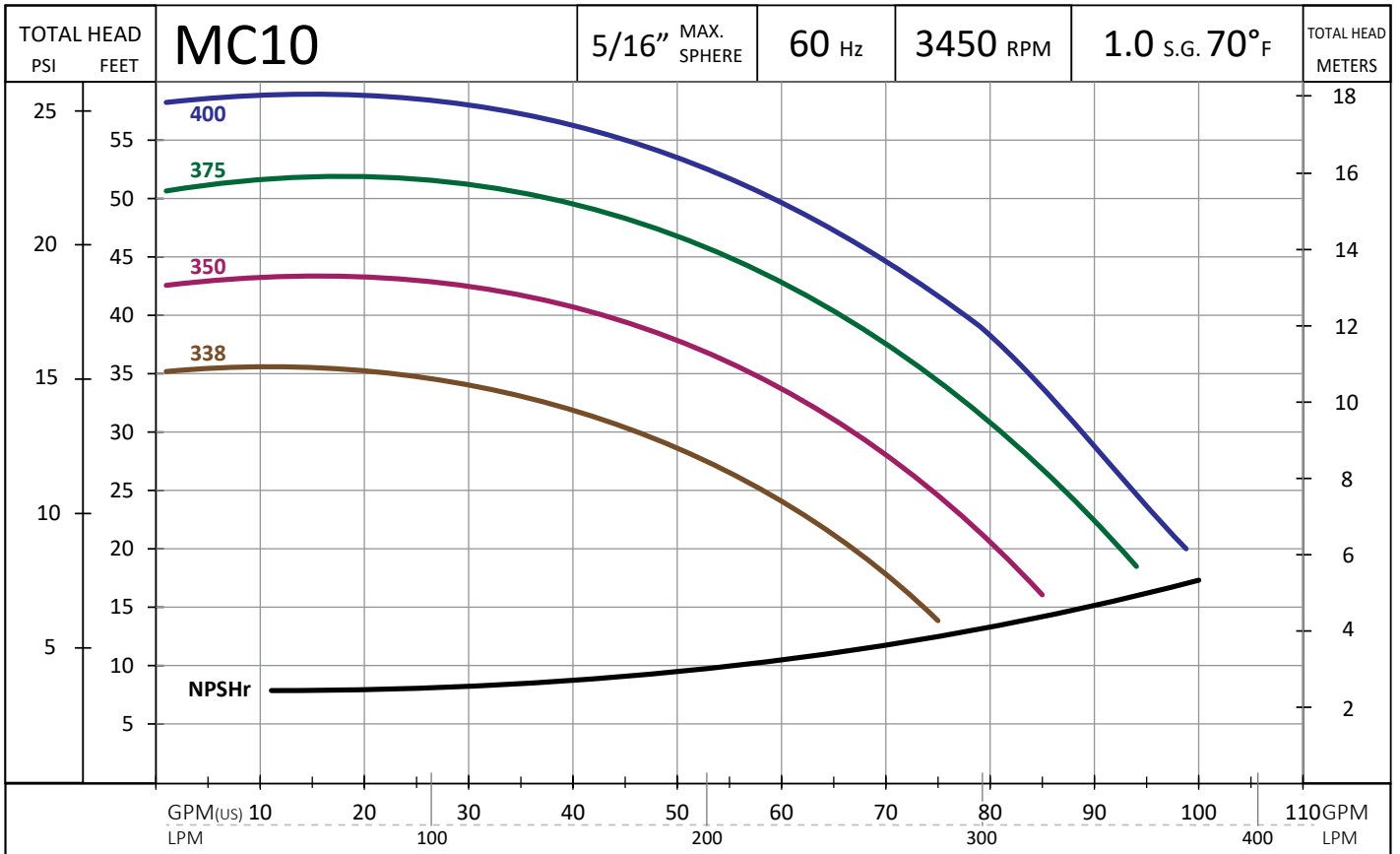


FEATURES

- Magnetic drive with no shaft seals for long life
- Rugged glass fiber reinforced composite construction will not rust, tarnish, or corrode*
- Extended run-dry protection with infused carbon graphite bushing*
- 316L-reinforced inlet*
- Stainless TEFC washdown motor*
- Stainless-steel hardware*
- Dual-voltage multi-frequency 60/50 Hz capable motor (wiring dependent)*

**Standard offering, may change with different options*

PERFORMANCE CURVE



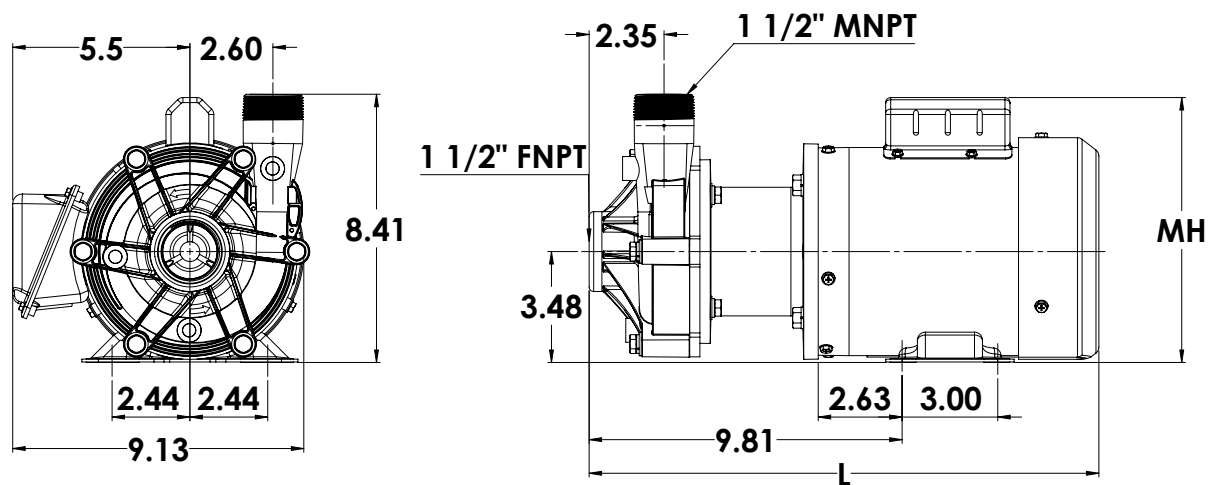
STANDARD WET MATERIALS

HEAD	GFPP (Polypropylene)
IMPELLER	GFPP (Polypropylene), GFPA (Nylon)
WEAR	Al ₂ O ₃ , Carbon Graphite, GF MoS ₂ , PTFE, SiC
O-RING	FKM

ADDITIONAL SPECIFICATIONS

MAX FLUID TEMP	180 °F
MAX FLUID VISCOSITY	150 cP

DIMENSIONS



IMP	HP	TYPE	PH	Volt	Hz	AMPS	(DIM) L	(DIM) MH	BASE PART NUMBER
338	0.5	TEFC	1	115/230	60/50	7.6/3.8	15.98	8.5	MC10-338-11-0.5T
350	1.0	TEFC	1	115/230	60/50	12.4/6.2	16.82	8.8	MC10-350-11-1.0T
375	1.0	TEFC	1	115/230	60/50	12.4/6.2	16.82	8.8	MC10-375-11-1.0T
400	1.0	TEFC	1	115/230	60/50	12.4/6.2	16.82	8.8	MC10-400-11-1.0T



© 2025 Inovotron. All Rights Reserved.

Magnevo Pumps are designed, assembled and quality-control tested at our headquarters in Minneapolis, Minnesota, USA.



(888) 849-6386
(952) 679-3939



www.magnevo.com

U.S. and Foreign Patents Pending
REV A